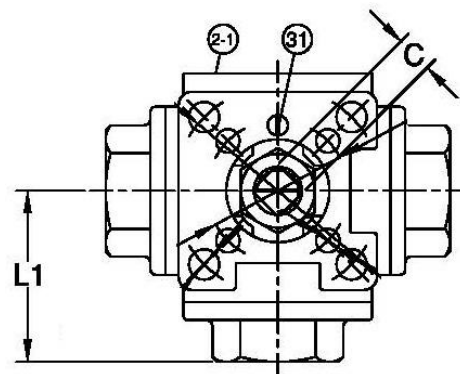
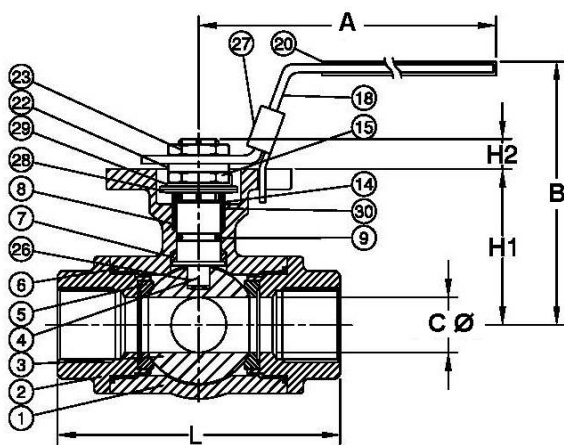


Housing	Stainless steel 1.4408
Hand lever	Stainless steel 1.4301, with plastic coating
Ball	Stainless steel 1.4401
Ball seal	RTFE (15 % glass fibre reinforced PTFE)
Stem seal	RTFE (15 % glass fibre reinforced PTFE)
Operating temperature	-20 °C to 180 °C
Operating pressure max.	63 bar (dependent on temperature)
Standard thread	G-thread acc. to DIN EN ISO 228-1



11081 D-ES



### 3-way ball valves, L-bore

Art. No.	Type No.	Thread	DN	L	A	B	H1	H2	C Ø	L1	C
				mm	mm	mm	mm	mm	mm	mm	mm
135920	11081 A-ES	G 1/4	8	75.7	112.0	77.5	38.2	9.0	11.0	37.3	9.0
135921	11081 B-ES	G 3/8	10	75.7	112.0	77.5	38.2	9.0	11.0	37.3	9.0
135922	11081 C-ES	G 1/2	15	75.7	112.0	77.5	38.2	9.0	12.7	37.3	9.0
135923	11081 D-ES	G 3/4	20	86.6	112.0	82.0	45.2	9.0	16.0	44.7	9.0
135924	11081 E-ES	G 1	25	102.4	136.5	93.7	56.5	11.0	20.0	51.4	11.0
135925	11081 F-ES	G 1 1/4	32	118.2	188.0	101.1	61.9	11.0	25.0	57.7	11.0
135926	11081 G-ES	G 1 1/2	40	125.8	197.5	120.3	78.3	14.3	32.0	62.7	14.0
135927	11081 H-ES	G 2	50	149.0	197.5	129.9	87.4	14.0	38.1	74.6	14.0

### 3-way ball valves, T-bore

Art. No.	Type No.	Thread	DN	L	A	B	H1	H2	C Ø	L1	C
				mm	mm	mm	mm	mm	mm	mm	mm
135928	11082 A-ES	G 1/4	8	75.7	112.0	77.5	38.2	9.0	11.0	37.3	9.0
135929	11082 B-ES	G 3/8	10	75.7	112.0	77.5	38.2	9.0	11.0	37.3	9.0
135930	11082 C-ES	G 1/2	15	75.7	112.0	77.5	38.2	9.0	12.7	37.3	9.0
135931	11082 D-ES	G 3/4	20	86.6	112.0	82.0	45.2	9.0	16.0	44.7	9.0
135932	11082 E-ES	G 1	25	102.4	136.5	93.7	56.5	11.0	20.0	51.4	11.0
135933	11082 F-ES	G 1 1/4	32	118.2	188.0	101.1	61.9	11.0	25.0	57.7	11.0
135934	11082 G-ES	G 1 1/2	40	125.8	197.5	120.3	78.3	14.3	32.0	62.7	14.0
135935	11082 H-ES	G 2	50	149.0	197.5	129.9	87.4	14.0	38.1	74.6	14.0